

ARMAGIRT™ Z-GIRT

Product Submittal Sheet



ARMAGIRT™ Z-GIRT

Non-metallic Z-girts are an ideal product for furring exterior walls on a new/existing masonry or steel stud backing. The ArmaGirt was developed to reduce heat loss in the building envelope while increasing the effective R-value of the total wall assembly.

PRODUCT DATA:

Material: Fibre-reinforced plastic

Stock Lengths: 9'0" long

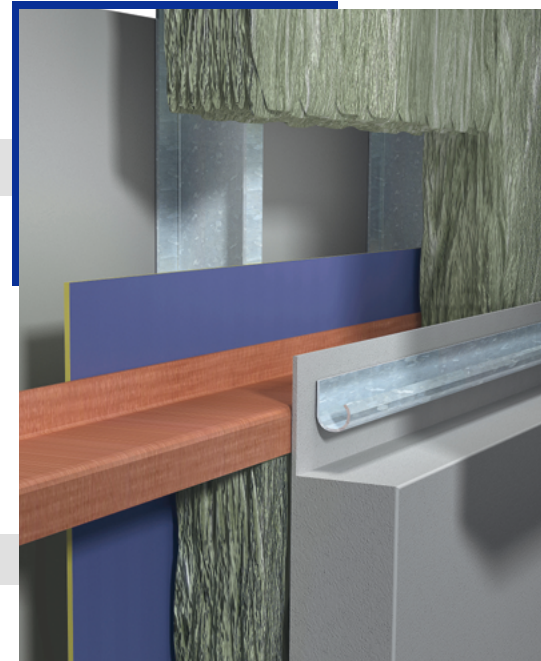
10% of a crate "Bundle"

Z-Girt Depth	Lineal Footage	Sticks	Weight (lbs)
1.5"	360	40	200
2"	333	37	222
2.5"	306	34	221
3"	270	30	210
3.5"	171	19	219
4"	162	18	216
6"	126	14	217

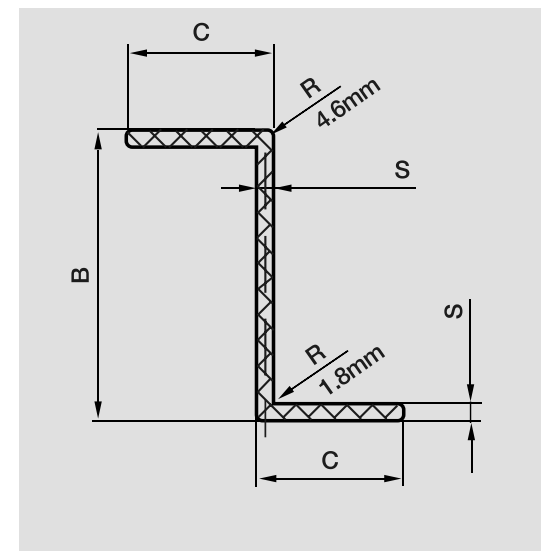
Full Crates

Z-Girt Depth	Lineal Footage	Sticks	Weight (lbs)
1.5"	3,600	400	2,100
2"	3,303	367	2,302
2.5"	2,997	333	2,271
3"	2,700	300	2,200
3.5"	1,701	189	2,174
4"	1,602	178	2,236
6"	1,251	139	2,155

Item	Dimensions, mm		
	B	C	S
ArmaGirt™ Z-Girt 1.5"	38.1 ± 0.20	38 ± 0.20	4.0 ± 0.2
ArmaGirt™ Z-Girt 2"	50.8 ± 0.25	38 ± 0.20	4.0 ± 0.2
ArmaGirt™ Z-Girt 2.5"	65.5 ± 0.30	38 ± 0.20	4.0 ± 0.2
ArmaGirt™ Z-Girt 3"	76.2 ± 0.35	38 ± 0.20	4.0 ± 0.2
ArmaGirt™ Z-Girt 3.5"	89 ± 0.4	45.7 ± 0.20	5.0 ± 0.2
ArmaGirt™ Z-Girt 4"	101.6 ± 0.5	51 ± 0.25	5.0 ± 0.2
ArmaGirt™ Z-Girt 6"	154.1 ± 0.6	45.7 ± 0.20	5.0 ± 0.2



ArmaGirt™ Z-Girt with a steel stud backing



ArmaGirt™ Profile



ARMAGIRT™ Z-GIRT

Product Submittal Sheet



PROJECT INFORMATION

Project Name:

Address:

Girt Depth:

CONTRACTOR INFORMATION

Name:

Contact:

Phone:

Fax:

ARCHITECT INFORMATION

Name:

Contact:

Phone:

Fax:

